



Building Quality Engineered Marine Products since 1946

Aluminum Truss Docks



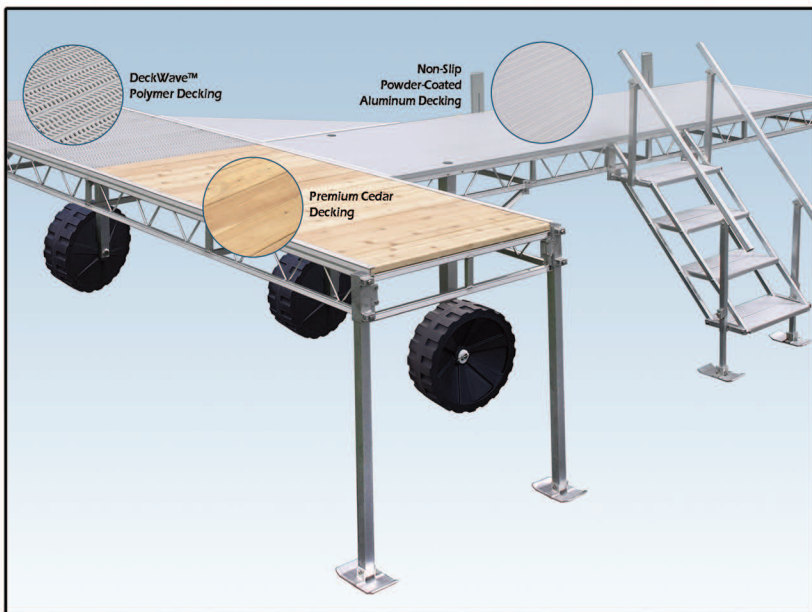
RGC Advantage

RGC Truss Docks combine the physical strength of quality marine grade aluminum with the engineering expertise of the most experienced dock and boat lift manufacturer in the industry.

A wide variety of options allows you to customize your dock system to meet your functional requirements, as well as your esthetic desires.

Applications

- ▶ Truss Dock systems work well for both residential and light marina applications.
- ▶ T-Docks are adaptable to various water depths and shorelines.
- ▶ The sections are easily arranged to meet both esthetic and functional requirements.



T-Dock with Powder-Coated Aluminum Decking, DeckWave™ Poly Decking and Premium Cedar Decking. Also shown with Screw Adjustable Legs, Dock Corner Wedge, 30" Vertical Bumpers, 24" Poly Wheels, External Adjustable Legs, Foot Plates and 30" Wide 4-Step Adjustable Stairs.

PROTECT YOUR WATERCRAFT...

With Quality, Precision-Engineered RGC Marine Products

www.rgcproducts.com • sales@rgcproducts.com • 1.800.831.LIFT (5438) 02.13LE



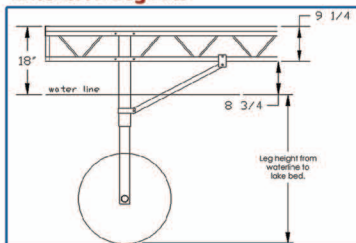
Aluminum Truss Docks

Features & Benefits

- ▶ T-Docks, Sun Decks and Dock Ramps are built of quality marine grade aluminum for minimal maintenance and assembled with aluminum and stainless steel fasteners for longevity.
- ▶ The ideal choice for both residential and light marina applications.
- ▶ Three decking options allow you to create the look you want. Choose from powder-coated aluminum, Deckwave™ poly decking or premium cedar.
- ▶ Standard T-Dock, Sun Deck and Dock Ramp sections arrange for a variety of layouts to meet both esthetic and functional requirements.
- ▶ Truss design on T-Docks and Sun Decks permit waves to flow through the frame and maintain stability.
- ▶ Adjustable External Leg Kits are offered in 30 in., 48 in., 72 in., and 96 in. heights.

- ▶ Screw Adjustable Legs adjust for maximum leveling capabilities and to accommodate up to 11 ft. water depths.
- ▶ Screw Adjustable Legs permit leveling of individual dock sections from the top of the dock.
- ▶ Substantial bracing provides extra stability.
- ▶ Quick Connect Mounting Brackets make adding to or changing your dock layout fast and easy.
- ▶ Easy assembly without special tools permits quick installation and adjustability.
- ▶ Customize your dock with the large variety of accessories to suit your application.
- ▶ 15 Year Limited Warranty on aluminum materials and workmanship.

Extension Leg Kits



Leg Height	Shallow	Medium	Deep	X Deep	2X Deep
With Wheels	13" - 24"	22" - 39"	37" - 68"	49" - 92"	73" - 137"
With Feet	3" - 14"	12" - 29"	27" - 58"	39" - 82"	63" - 127"
Adjustable	11"	17"	31"	43"	64"

Truss Dock Accessories

- ▶ 4' Wide Dock Ramps to match Decking
- ▶ Dock Corner Wedge to match Decking
- ▶ Adjustable Screw Leg Kits (Pr.)
- ▶ Adjustable External Leg Kits (Pr.)
- ▶ 22 in. Polymer Wheels
- ▶ Foot Plates
- ▶ 4 & 6-Step Adjustable Stairs (30 in. wide)
- ▶ 3 & 4-step Aluminum Ladders
- ▶ 4' Bench - Aluminum or Cedar
- ▶ Kayak Racks
- ▶ 10" Dock Cleat
- ▶ 9" Corner Bumper
- ▶ 30" Vertical Bumper
- ▶ Fixed & hinged Seawall Brackets
- ▶ Leg adjustment Speedi-Handle
- ▶ Leg adjustment 1/2 in. drive socket
- ▶ Leg adjustment bit for cordless drill

Specifications

	T-Dock Sections (2 Leg Holes)					Sun Decks (4 Leg Holes)				Dock Ramps		
	2' x 8'	2' x 16'	4' x 12'	4' x 16'	5' x 16'	4' x 8'	8' x 8'	6' x 12'	8' x 12'	4' x 6'	4' x 8'	4' x 12'
Powder-Coated Aluminum Decking	X	X	X	X	X	X	X	X	X	X	X	X
Deck/Wave Poly Decking	X	X	X	X	X	X	X	X	X	X	X	X
Premium Cedar Decking	X	X	X	X	X	X	X	X	X	X	X	X

